

# Dual HF

DALI-2 Input Device - concealed  
 EAN 4007841 057459  
 Article number 057459



high frequency sensor  
360°



max. 20 x 3 m



IP20



ideal 2.5 - 3.5 m



indoor sensor



10 - 10000 lux



energy saving

5 years

manufacturer's  
warranty steinel-  
professional.de/  
garantie



CE

## Function description

Twice as vigilant. High-frequency corridor sensor Presence Control PRO DUAL HF DALI-2 Input Device for indoors, ideal for passageways and long corridors, installation height up to 3.5 m. DALI-2 Input Device enables sensors to communicate collected sensor data to higher-level lighting management systems (e.g. LiveLink).

## Technical specifications

Dimensions (L x W x H)	74 x 120 x 120 mm	Mounting height max.	3,50 m
With motion detector	Yes	Optimum mounting height	2,8 m
Manufacturer's Warranty	5 years	HF-system	5,8 GHz
Settings via	Bus	Detection	also through glass, wood and stud walls
With remote control	No	Detection angle	Aisle, 360 °
Version	DALI-2 Input Device - concealed	Angle of aperture	140 °
PU1, EAN	4007841057459	Sneak-by guard	Yes
Type	Presence detector	Capability of masking out individual segments	No
Application, place	Indoors	Electronic scalability	Yes
Application, room	corridor / aisle, Indoors	Mechanical scalability	No
Colour	white	Reach, radial	20 x 3 m (60 m <sup>2</sup> )
Colour, RAL	9010	Reach, tangential	20 x 3 m (60 m <sup>2</sup> )
Includes corner wall mount	No	Transmitter power	< 1 mW
Installation site	ceiling	Twilight setting	10 – 1000 lx
Installation	Concealed wiring, Ceiling	Basic light level function	No
IP-rating	IP20		
Ambient temperature	from -25 up to 55 °C		

# Dual HF

DALI-2 Input Device - concealed  
 EAN 4007841 057459  
 Article number 057459



## Technical specifications

Material	Plastic
Mains power supply	12 – 22,5 V / 50 – 60 Hz
Switching output 2, floating	No
Power supply, detail	DALI bus
Number of Dali users	7
Steuer Ausgang, Dali	Addressable/slave
With bus coupling	Yes
Technology, sensors	High frequency, Light sensor
Mounting height	2,50 – 3,5 m

Main light adjustable	No
Twilight setting TEACH	No
Constant-lighting control	No
Interconnection	Yes
Type of interconnection	Master/slave
Interconnection via	DALI bus
Max. Current consumption according to IEC 62386-101	42 mA
Typical current consumption at 16V input voltage	10 mA
Max. Current consumption at 10V input voltage in regular operation	14 mA
Product category	Presence detector

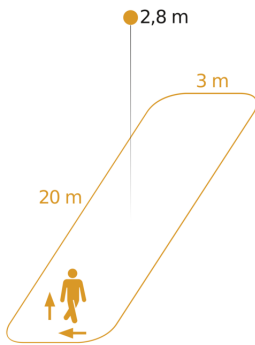
## Accessories

EAN 4007841 000363	Surface-mounted adapter Control Pro IP54
EAN 4007841 003036	Control PRO guard cage
EAN 4007841 006600	HF-ceiling adapter
EAN 4007841 009151	Remote control Smart Remote

# Dual HF

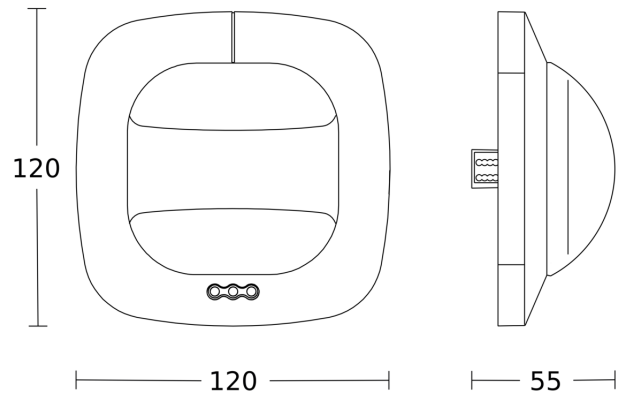
DALI-2 Input Device - concealed  
EAN 4007841 057459  
Article number 057459

## Detection Zone



Possible mounting height: 2,50 m - 3,50 m  
Orange: radial and tangential

## Dimension Drawing



## Circuit diagram

